

TECHNICAL DATASHEET



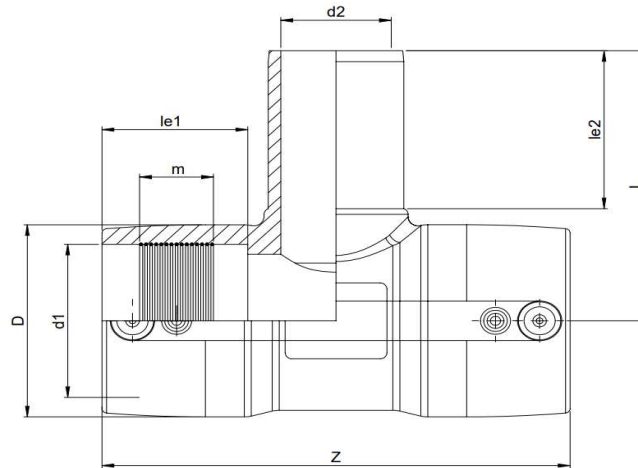
EF REDUCED TEE 90°

04 Update - 04/2024

TECHNICAL DATA

Article No	001 117 2042 0092
d1 (mm)	90
d2 (mm)	63
D (mm)	117
Z (mm)	210
L (mm)	132
le1 (mm)	65
le2 (mm)	67
m (mm)	35
Weight (Kg)	0,980
Box Quantity (pcs)	16
Box Dimension (cm)	36x60x46,5

INJECTION MOULDED



IDENTIFICATION OF PRODUCT

D(mm)	90-63
SDR	11
RAW MATERIAL	PE 100
PRESSURE CLASS	16 Bar Water 10 Bar Gas
TRADEMARK	NTG
EXECUTION	Injection Moulded
STANDARD	EN 12201-3

SPECIFICATION	Suitable for SDR9...17 pipe 4 mm pin connectors
---------------	--

EF SPECIFICATION

WELDING VOLTAGE	40V
RESISTANCE	1,11 Ω
WELDING TIME	120 Sec.
COOLING TIME	15 Min.
WINDING TYPE	Monofilar
WELDING BARCODE	



971420320903401116120116

Tolerance on diameters and thickness according to the standards. The other dimensions are specialized. Tolerance $\pm 5\%$. NTG PLASTIK reserves all the right to change any information without giving prior notice. The production, distribution and utilization of this document without explicit authorization is prohibited.